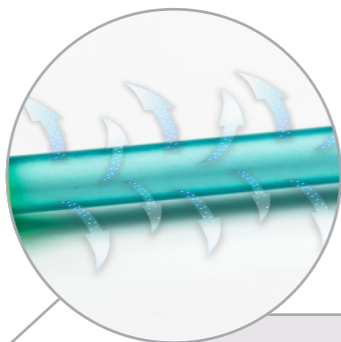
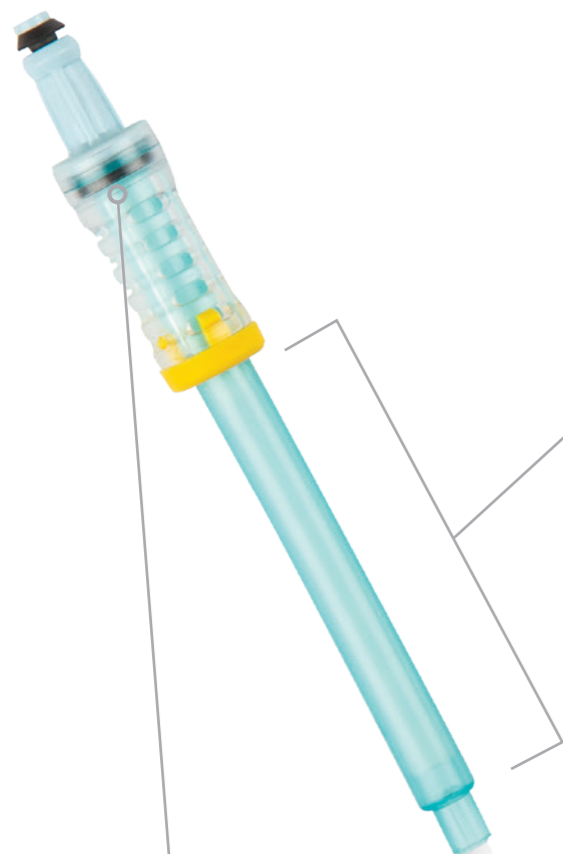


NomoLine[®] Sampling Lines

Airway Adapter Sets and Cannulas for all patients in both low- and high-humidity conditions

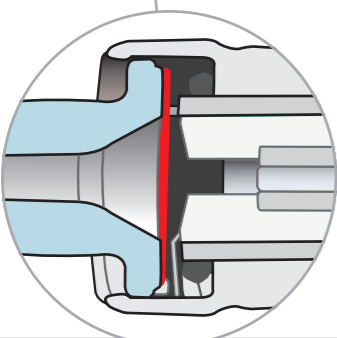


Long- and short-term-use sampling lines with technology that removes moisture and provides accurate capnography and gas monitoring measurements.



Moisture-wicking section eliminates the need for a water trap

- > Patented no-moisture polymer allows moisture to diffuse into the environment
- > Moisture-free sample provides accurate measurements to help clinicians make more informed decisions



Hydrophobic bacterial filter reduces contamination of the ISA™ analyser

- > Extends the life of the module by reducing water intrusion
- > Ensures safety by reducing the risk of bacterial contamination



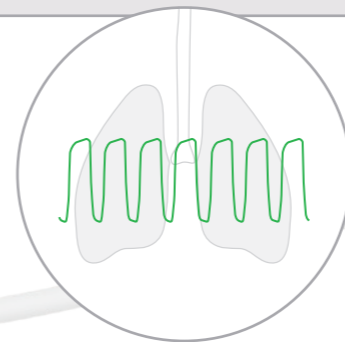
Ergonomically designed cannulas improve patient comfort

- > Lightweight, soft cannulas with a curved design fit the contours of the face to minimise pressure
- > Multiple options allow for use with all patient populations

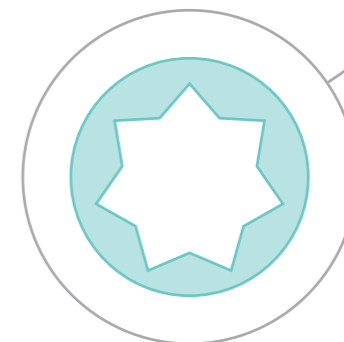


Uniquely designed sampling line allows for usage during low-flow and small sample-size applications

- > Requires only a small breath sample, 50 ml/min
- > Airway Adapter Sets with low dead space allow for faster rise time and an unaffected waveform



- > Star-shaped lumen oxygen delivery tubing ensures supply even if kinked

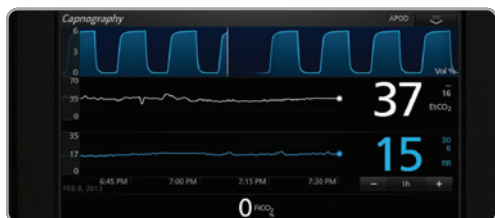


Compatible Devices



> Quick Start-Up Time

Virtually no warm-up time and full accuracy performance in ten seconds, with no calibration requirements.¹



Waveform Display

Real-time EtCO₂ waveform provides an easily interpretable display of capnography measurements.



Light Emitting Gas Inlet (LEGI)

Indicator illuminates in different colours to provide visual indicators of capnography module status, and the simple plug-in connector provides a leak-free connection to the device.

NomoLine Sampling Line Specifications

Length Options	2m, 3m, and 4m
Sampling Flow Rate	50±10 ml/min
Inline Filter	BFE & VFE* ≥ 99.9%
Tubing Inner Diameter	1 mm
Supplementary Oxygen Delivery	Up to 5 lpm
Airway Adapter dead space	
Adult/Paediatric	≤ 6 ml
Infant and Infant/Neonatal	≤ 0.7 ml
Material	Not made with natural rubber latex

¹ Refer to device operator's manual.

*BFE= Bacterial Filter Efficiency and VFE = Virus Filter Efficiency.

For professional use. See instructions for use for full prescribing information, including indications, contraindications, warnings, and precautions

Masimo Sweden AB
Tel: +46 8 544 98 150
info-sweden@masimo.com

Masimo U.S.
Tel: 1 877 4 Masimo
info-america@masimo.com

Masimo International
Tel: +41 32 720 1111
info-international@masimo.com

